

800 Series

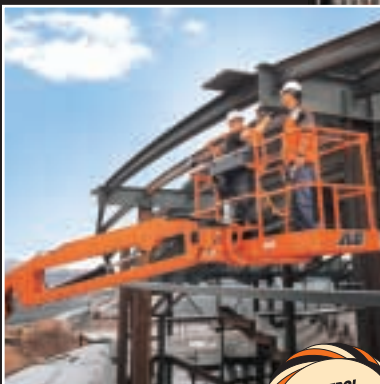
TELESCOPIC BOOM LIFTS



**Narrow Fixed
Width - Low GVW**



**Jobsite Proven
Performance**



**750 lbs. Capacity
with JIB**



**800S
860SJ**

www.jlg.com



Optimum Productivity – Lower Owning and Operating Costs

The new Models 800S and 860SJ telescoping boom lifts from JLG feature an innovative boom design that allows for a narrow fixed working width and low gross vehicle weight. The results are machines with unsurpassed performance and maneuverability designed to optimize your productivity and reduce your owning and operating costs.

Optimum Performance

Time wasted is money lost! The 800 Series gets you from the ground to 80 ft. (24.38 m) in less than 67 seconds – 40% faster than the competition. The 800 Series lets you spend more time working and less time getting there.



Service and Reliability

Preventive maintenance and downtime are facts of life for any piece of equipment. The 800 Series is designed to reduce these costs and optimize machine uptime. Better fuel efficiency, a swing-out engine tray and JLG's Control ADE™ System are just some of the features that help keep your owning and operating costs low and your machine working.

Fixed Width Plus Low GW

Both of the Models 800S and 860SJ are housed on an 8 ft. 2 in. (2.49 m) fixed-width frame. Extendable axles are not needed which means faster set-up times on the job and less components requiring maintenance. Plus, the narrow working width allows access to those congested areas off-limits to wider machines.

Operator Preferred Controls – Now with the Control ADE™ System

JLG's Exclusive Advanced Design Electronics (Control ADE™) System helps optimize productivity while lowering your owning and operating costs.

- **Higher Productivity** – The Control ADE System by JLG provides smoother machine functions, increased fuel efficiency and reduced emissions.
- **Commonality of Components** – The Control ADE System is standard across all JLG engine powered boom models.
- **Enhanced Reliability** – The Control ADE System significantly reduces the number of wires and connections.
- **Improved Serviceability** – The Control ADE System self-test capability reduces troubleshooting time and identifies potential problems.
- **Enhanced Performance** – The Control ADE System allows function speeds and options to be customized to meet customer preferences.

Oscillating Axle

Construction jobsite conditions range from deep mud to sand to deeply rutted, hard-packed dirt. Sometimes on the same job! The standard oscillating axle provides a smoother ride and better traction in all types of conditions. 45% gradeability on 4x4 models reflects real jobsite performance.





High Capacity

Another industry first – dual capacity ratings on a jib machine! Industry-best capacities through the majority of the work envelope increase your productivity by allowing more workers and materials in the platform. This is especially critical for applications requiring extra capacity such as steel erection, mechanical contracting and glazing.



Options to Create Your Workstation in the Sky™ Product

Transform your Model 800S or 860SJ into a true Workstation in the Sky™ product with exclusive options and accessories from JLG. Whether designed for a specific application like the SkyWelder™ Package or to meet a variety of needs like the SkyPower™ Package, JLG has many options available to increase your productivity and enhance your work environment.

SkyPower™ Package

JLG delivers more power where you need it with the SkyPower™ Package. Machines outfitted with the SkyPower Package include a 7500W self-contained generator, plus a power cable and a 1/2 inch air line routed through the boom's power track to the platform. As an added benefit, the SkyPower Package is designed to work with various add-on accessories, including the SkyWelder™ Package.



SkyWelder® Package

Fully utilize your SkyPower Package equipped booms with the JLG SkyWelder Package. A 250 amp Miller® welder positioned under the control station conserves space and provides stick and TIG capability. Free yourself from dangerous leads hanging over the rails and unnecessary cost of a stand-alone welder and power supply. Add the SkyCutter Package and the SkyAir Package for even more productivity.



SkyAir™ Package

Power air tools and SkyCutter Package with JLG's on-board, 9.3 CFM air compressor. Powered by the SkyPower Package, the SkyAir Package is a fully integrated solution that provides increased productivity by eliminating the dangers, costs and hassles of tethering to a separate ground-based compressor.



SkyGlazier™ Package

The first and only factory-approved glass and panel tray. Utilizes industry leading JLG capacity to get materials to the work site. Improves productivity and reduces operator fatigue, while protecting panels from damage.



Nite Bright™ Package

Light up dark or low-light areas with JLG's NiteBright Package. The scissor package includes four platform mounted 40-watt lights and the boom package includes two 40-watt platform mounted lights and four additional lights that illuminate the area around the turret and chassis. The NiteBright package is ideal for increasing visibility in structures with low light and for work at night.



SkyCutter™ Package

Cut faster and cleaner with an on-board Miller® plasma cutter. Eliminate the dangers of ground based Oxygen/Acetylene tanks and hoses draped over the railings. The SkyCutter Package includes the SkyAir Package, to supply the plasma cutter or power air tools. Add the SkyWelder Package for even more productivity!



Pipe Rack Accessory

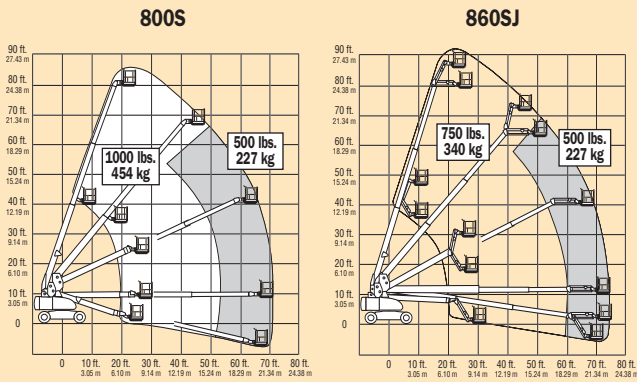
JLG's exclusive Pipe Rack Accessory is designed to secure pipes close to where they are needed. The pipe rack is mounted to the top platform rail and can hold up to 180 lbs. (80 kg) of pipe.

Keep checking www.jlg.com for additional Workstation in the Sky™ accessories.

*Miller® is a trademark of Miller Electric.

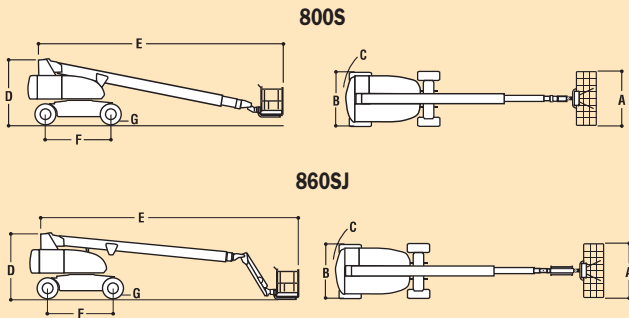
JLG MODEL 800S/860SJ SERIES

PERFORMANCE FEATURES



REACH SPECIFICATIONS

Platform Height (800S)	80 ft. (24.38 m)
Platform Height (860SJ)	86 ft. (26.21 m)
Horizontal Reach (800S)	71 ft. (21.64 m)
Horizontal Reach (860SJ)	75 ft. (22.86 m)
Swing	360 Degrees Continuous
Platform Capacity - Restricted (800S)	1,000 lbs. (454 kg)
Platform Capacity - Restricted (860SJ)	750 lbs. (340 kg)
Platform Capacity - Unrestricted	500 lbs. (227 kg)
Platform Rotator	180 Degrees
Jib - 860SJ Only - (Range of Articulation)	6 ft. (1.83 m) 130 Degrees (+70, -60)



DIMENSIONAL DATA

A. Platform Size	36 x 96 in. (0.91 x 2.44 m)
B. Overall Width	8 ft. 2 in. (2.49 m)
C. Tailswing	4 ft. 8 in. (1.42 m)
D. Stowed Height (800S)	9 ft. 11 in. (3.02 m)
D. Stowed Height (860SJ)	10 ft. (3.05 m)
E. Stowed Length (800S)	37 ft. 3 in. (11.35 m)
E. Stowed Length (860SJ)	40 ft. (12.19 m)
F. Wheel Base	10 ft. (3.05 m)
G. Ground Clearance	12 in. (30 cm)
Gross Vehicle Weight (800S)	33,200 lbs. (15,059 kg)
Gross Vehicle Weight (860SJ)	36,400 lbs. (16,510 kg)
Max Ground Bearing Pressure (800S)	72 psi (5.02 kg/cm ²)
Max Ground Bearing Pressure (860SJ)	81 psi (5.69 kg/cm ²)

CHASSIS

Drive Speed - 2WD/4WD	3.5 mph (5.6 kph)
Gradeability - 2WD/4WD	30%/45%
Turning Radius - Inside	12 ft. (3.66 m)
Turning Radius - Outside	22 ft. 6 in. (6.86 m)
Tires/Type	Pneumatic 15-625

POWER SOURCE

Dual Fuel Engine, Ford LRG-425 EFI	82 hp (61 kW)
Diesel Engine, Deutz F4M2011	65 hp (48 kW)
Diesel Engine, Caterpillar 3044C	63.3 hp (47.2 kW)
Fuel Tank Capacity	31 gal. (117.3 L)
Hydraulic Reservoir	40 gal. (151.4 L)
Auxiliary Power	12V DC

Standard Features

- 6 ft. (1.83 m) Articulating Jib (860SJ only)
 - Side Entry Platform 36 in. x 96 in. (0.91 x 2.44 m)
 - Dual Rated Capacities
 - Oscillating Axle
 - Inward Self-Closing Swing Gate
 - 180 Degree Hydraulic Platform Rotator
 - 110V-AC Receptacle in the Platform
 - 5 Degree Tilt Alarm/Indicator Light
 - Swing-Out Engine Tray
 - 12V-DC Auxiliary Power
 - Hourmeter
 - Control ADE™ System
 - Proportional Controls
 - Gull-Wing Engine Hood
 - Hydrostatic Drive
 - Operator Tool Tray
 - Platform Console Machine Status Light Panel*
 - Lifting/Tie Down Lugs
 - 15-625 Rim Protector Lug Tread Tires
 - Engine Distress Warning
 - Engine Distress Shutdown—Selectable via Analyzer
- * Provides indicator lights at platform control console for system distress, fuel level, low fuel, 5 degree tilt light, and foot switch status.

Options

- 36 in. x 72 in. (0.91 x 1.83 m) Platform
 - Light Package¹
 - Alarm Package²
 - ½ in. Air Line to Platform
 - Soft Touch System
 - 15-625 Foam Filled Tires
 - 18-625 Foam Filled Tires
 - 18 x 22.5 Foam Filled Sand/Turf Tires
 - 2500W Generator
 - Tow Package
 - Cold Weather Start Kit (Ford)³
 - Cold Weather Start Kit (Deutz & CAT)³
 - Hostile Environment Kit⁴
 - Tire Sealant
 - Platform Work Lights
 - All Motion Alarm
1. Includes head and tail lights, and platform work lights.
 2. Includes all motion alarm and flashing amber beacon.
 3. Includes engine block heater (Ford & CAT) or glow plugs (Deutz), battery heater and oil tank heater.
 4. Includes console cover, boom wipers and cylinder bellows.

Accessories

- SkyPower™ Package**—Includes 7500W generator, power cable to platform, and 1/2 in. air line to platform.
- SkyWelder® Package**—Includes SkyPower™ Package, 250-amp Miller® welder in the platform, leads, clamp, stinger and fire extinguisher.
- Nite Bright™ Package**—Includes six 40-watt lights (platform and chassis mounted).
- Pipe Rack**—Platform mounted—180 lbs. (80 kg) capacity.
- SkyGlazier™ Package**—Includes glass and panel tray with strap, 250 lbs. capacity. (800S only)
- SkyCutter™ Package**—Includes SkyPower™ Package, Miller® plasma cutter mounted on platform, and SkyAir™ Package.
- SkyAir™ Package**—Includes SkyPower™ Package and 9.3 CFM air compressor.

The JLG "1 & 5" Warranty for Models 800S & 860SJ

JLG Industries, Inc. backs our products with our exclusive "1 & 5" Warranty. We provide coverage on all products for one (1) full year, and cover all specified major structural components for five (5) full years. Due to continuous product improvements, we reserve the right to make specification and/or equipment changes without prior notification. This machine meets or exceeds applicable OSHA Regulations in 29 CFR 1910.67, 29 CFR 1926.453, ANSI A92.5-1992 and CSA standard CAN3-B354.4-M82 as originally manufactured for intended applications.

JLG Industries, Inc.

1 JLG Drive, McConnellsburg, PA 17233-9533
 Telephone 717-485-5161 Toll-free in US 877-JLG-LIFT
 Fax 717-485-6417
 www.jlg.com

Printed in USA
 FORM NO.: SS-800S-1101-7M
 PART NO.: 3131024
 REV. NO.: R080404

